

SC adapters

Description:

The SC adapters are designed and manufactured according to JIS, IEC, EIA/TIA and ANSI specifications for intermateability and optical performance. The SC adapters are offered for MM or SM applications, designed for connectors with PC and APC polishing method. The ordering code allows exact specification of your demands concerning sleeve type (phosphor bronze or zirconia) and adapter variant, duplex version is also available.

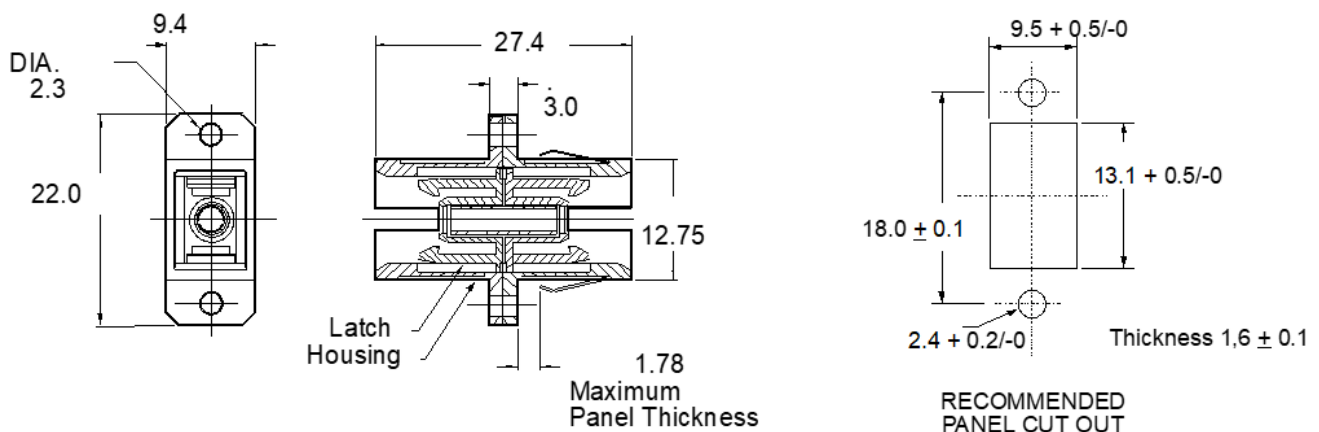


In addition to the standard SC adapters a wide range of hybrid adapters is provided to enable interconnection between different connector types. The SC adapters can be equipped with protective shutter to eliminate dangerous laser emissions in high power optical systems.

Features:

- Simplex and duplex panel cutouts
- Panel clip for easy installation
- Available in several standard colors
- Available without flanges, Shutter adapter available
- Hybrid types for various connectors
- Dust cap provided

Specifications:



Single adapters:



A-SC/APC-01-01 GR-01



A-SC/APC-01-01 GR-02



A-SC/PC-02-01 BL-01



A-SC/PC-01-01 BL-02

Duplex adapters:



A-SC-D/PC-02-01 BL-01



A-SC-D/APC-01-01 GR-01

Hybrid adapters:



A-SC-ST/PC-02-01 BL-01



A-SC-FC/PC-01-01 BL-01



A-SC-FC/APC-01-01 GR-01



A-SC-FC/PC-01-01/03 BL-01



A-SC-FC/APC-01-03 MT-01



A-SC-FC-D/PC-02-03 MT-01



A-SC-FC/APC-01-03 MT-03

Adapters with shutter:



A-SC/APC-01-01S-GR-02



A-SC/APC-01-01SF-GR-02



A-SC/APC-01-01SI GR-02



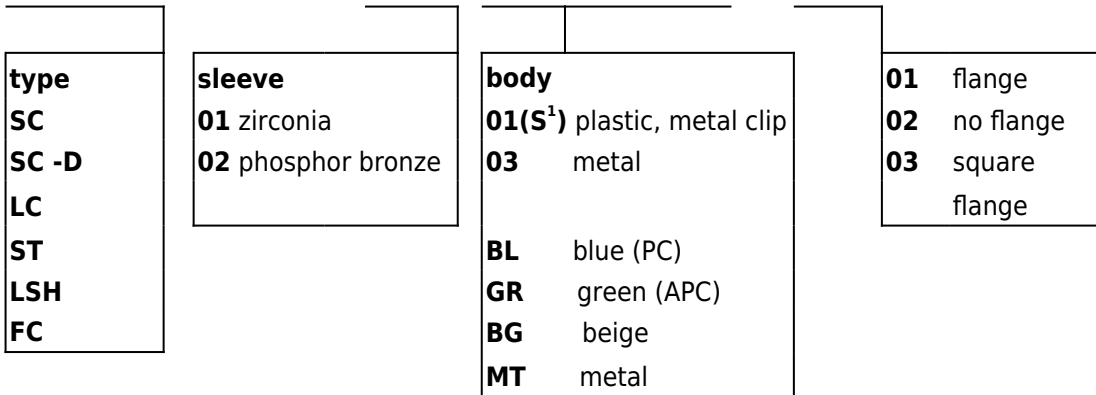
A-SC-D/APC-01-01S GR-02

Application:

- Telecom
- LAN, WAN
- CATV
- Sensor Systems
- Measuring Technique
- Utilities, Railways

Ordering code:

A - SC (-D) / (A)PC - XX - XX XX - XX



Note: 1) with shutter:
 S outer shutter
 SI inner spring shutter
 SF inner flap shutter