

# GP-LP-LX-C++

## GPON OLT SFP Transceiver, Class C++

### Description:

The OPTOKON **GP-LP-LX-C++** transceiver with supports data rate of typical 2.488 Gbps for GPON OLT application up to 20km transmission distance, it's designed meeting with ITU-TG.984.2 Class C++ specifications. SC receptacle is for optical interface

The module is contained in a SFP package with SC/APC receptacle connector.

**GP-LP-LX-C++** consists 1490nm DFB laser, InGaAs APD, preamplifier and WDM filter in a high-integrated optical sub-assembly, and it transmit up to 2.5Gbps of continuous data at 1490nm, and receives 1.25Gbps burst-mode data at 1310nm. The module data link up to 20km in 9/125um single mode fiber

The transceiver **GP-LP-LX-C++** provides digital diagnostic information of its operating conditions and status, including transmitting power, laser bias, receiver input optical power, module temperature, and supply voltage

### Features:

- **SC Bi-Di SM transceiver**  
1.25Gbps Upstream/2.5Gbps Downstream
- Complies with ITU-T G.984.2 Class C++
- SFP package with SC Receptacle
- **1490nm** continuous-mode 2.5Gb/s DFB transmitter
- **1310nm** Burst-mode 1.25Gb/s APD-receiver
- Single +3.3V power supply, hot-pluggable
- Compliant with SFP MSA and SFF-8472
- Complies with Telcordia (Bellcore) GR-468-CORE
- DDM functions

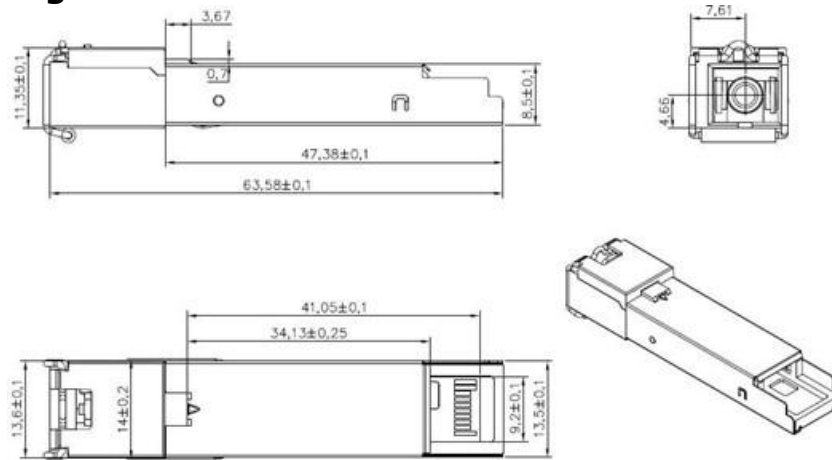


**Product Applications:** GPON OLT for P2MP application

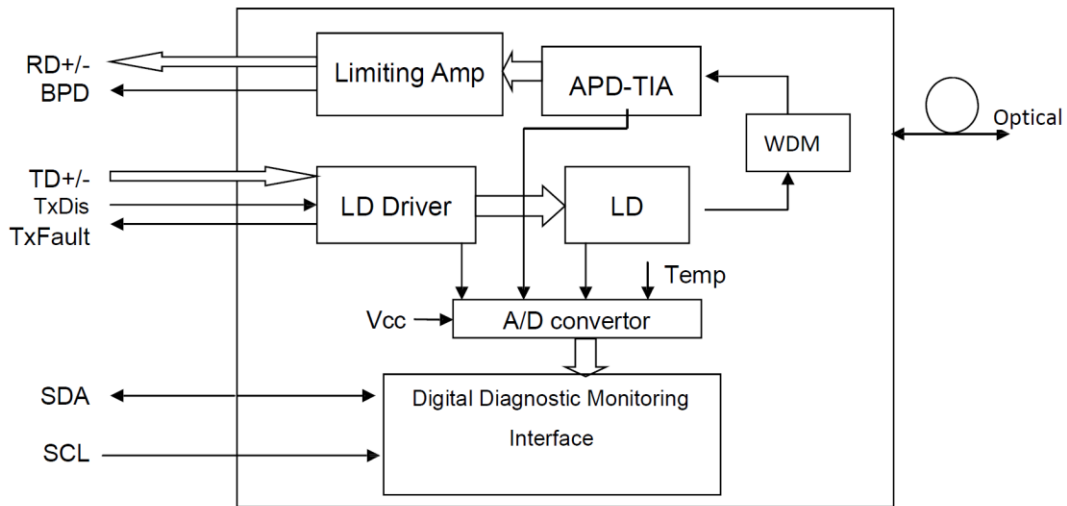
### Specifications:

	Symbol	Min	Typ	Max	Unit
<b>Transmitter</b>					
Average optical output power	$P_O$	+5	+7	+10	dBm
Transmitter reflectance	RFL			-12	dB
Transmitter center wavelength	$\lambda_C$	1480	1490	1500	nm
Average Launched Power of Off Transmitter	$P_{off}$			-39	dB
<b>Receiver</b>					
Receiver sensitivity	$P_{SEN}$			-30	dBm
Receiver optical wavelength	$\lambda_{IN}$	1260	1310	1360	nm
Overload (Saturation)	$P_{SAT}$	-10			dBm
Maximum distance				20	km

### Package diagram:



### Transceiver block diagram:



### Ordering code:

Code	Description
GP-LP-LX-D-C++	GPON SFP transceiver, Class C++ , 1490 nm, 20 km, 0 °C to +70°C