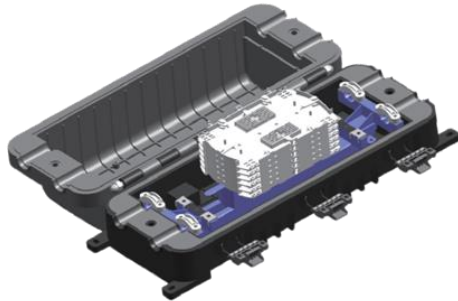


# KSHT-122

## Fiber Optic Splice Closure



### Features:

- May be used for cut, uncut and taut sheath applications
- May be used for all fiber optic cable
- Sheath retention & central strength member fasten system included
- Ribbed closure construction and lightweight plastic provides strength and resistance to chemical and U.V attack
- Installation and reentry with a minimum of tools
- All hardware are included
- Re-enterable and reusable
- RoHS compliance

### Application:

Duct mounting, Aerial mounting, Wall mounting

### Specifications:

Model No	Size (mm) L x W x H	Fiber capacity	Splice capacity of the tray	Cable ports (max.diameter)
KSHT-122	503 x 197 x 158	144 splices (6x24 splices)	Each tray up to 24 cores	4 ports: Each port for 1 cable with max. diameter 21 mm

### Ordering code:

**KSHT-122**

-	<b>X</b>	-	<b>X</b>
	# of Trays <b>1 - 6</b>		# of Fibers <b>1 - 144</b>

### Accessories:

- Standard Components: Cover, Bottom, Seal gasket, Clamp, Splice Tray (with heat shrink sleeves), Nylon tie, Cable fixing device, Grounding wire, Labeling paper, Buffer tube, Insulation tape
- Optional Accessories: Aerial mounting kits, Duct mounting kits, Pressure valve, Grounding device

