

HMA-J Series connector

Description:

The OPTOKON HMA-J connector series, a medium size „Expanded Beam” connector is designed for connection of the nodes of tactical network by the help of cables with optical fibers. The used expanded beam technology preserves all advantages of signals transmission through the optical lines in field harsh environmental conditions. Additionally to military optical networks the HMA-J is suited for a vast array of applications, like heavy industry connections, petrochemical application, broadcasting temporary optical lines.

The innovative designs ensure its ability for deployment in the toughest environments where high performance and total reliability are critical. Benefiting from expanded beam technology the precision optical alignment system creates immunity from water, mud, dust oil and other contaminants.

The HMA-J Hermaphroditic coupling eliminates the need for adaptors and male and female mating halves. Hermaphroditic housings allow for rapid deployment, creating low loss Singlemode and Multimode daisy chained links in a variety of planforms ranging from simplex fiber to a four fibers. The OPTOKON HMA-J is ideally suited for environmental extremities where low maintenance and quick reparability is necessary.

Features:

- Advanced expanded beam technology
- MIL-DTL-83526 compatible
- Hermaphroditic interconnection
- 2/4 fiber channels Single mode or Multimode
- Rugged connector design

Benefits:

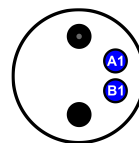
- Best optical performance available
- No adaptors necessary
- Easy clean, no special tools

Application:

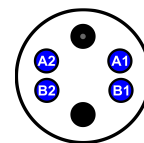
- Broadcast
- Military communications
- Industrial
- Petrochemical



HMA-J connector



2 fibers



4 fibers

Specifications:

Insertion Loss	Typical 0.8-1.8 dB @ 1310, 1550 nm Typical 0.5-1.0 dB @ 850, 1300 nm	Single mode Multimode
Return Loss	>32 dB	Single mode only
Durability	3000 matings minimum	
Operating temperature	-45 to +85 °C	
Storage temperature	-55 to +85 °C	
Water immersion	Up to 15 m depth duration	
Vibration sinusoidal	10-500 Hz, 3 directions, 0.75 mm amplitude @ 10 g acceleration	
Free fall resistance	500 falls from 1.2 m height	
Shock	11 ms, 3 axis, 50 g	

Part Number:

HMA-J - XXX - X(SM, M5, M6)

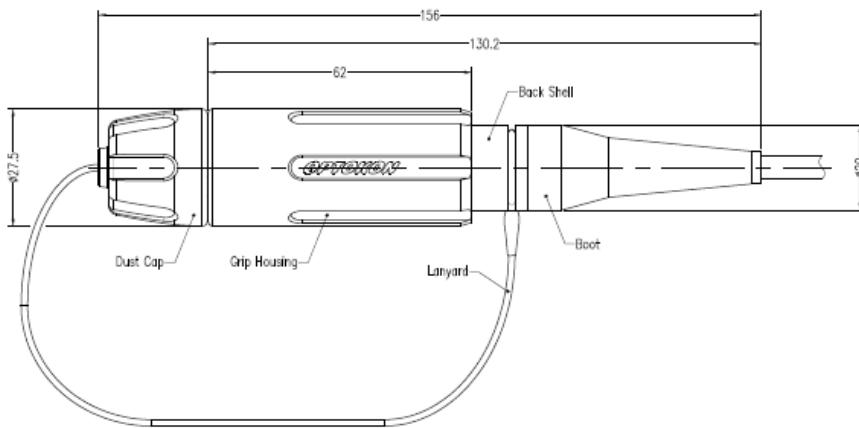
-	plug
BF	bulkhead flange
BFB	bulkhead flange with boot
BFL	bulkhead flange low profile
BN	bulkhead jam nut
BNB	bulkhead jam nut with boot

X	2, 4 fiber number
---	-------------------

Technical drawings:

Plug Connector:

HMA-J

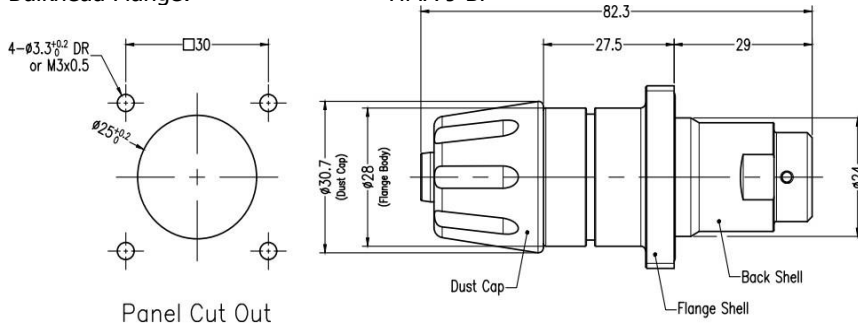


Suitable cable:

Tactical cable
Ø 5.5 mm

Bulkhead Flange:

HMA-J-BF



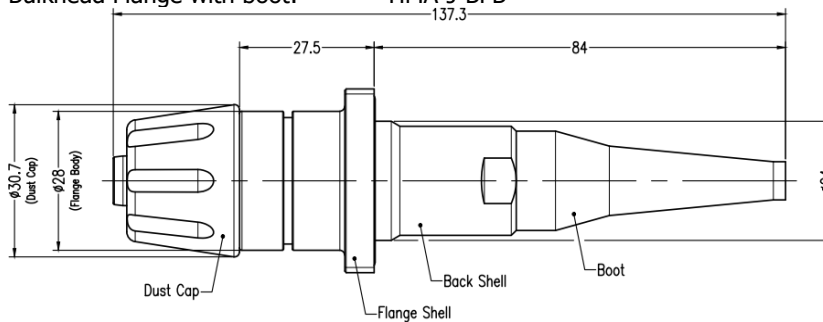
Suitable cable:

Tactical cable
Ø 5.5 mm

Jacketed cable
Ø 2.0 mm

Bulkhead Flange with boot:

HMA-J-BFB



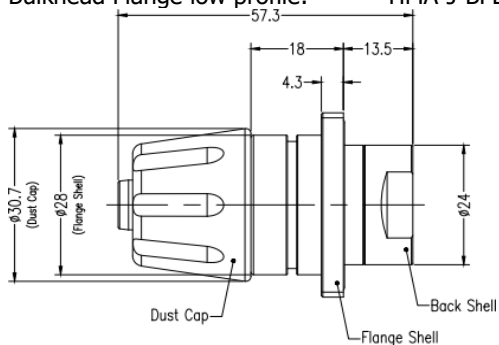
Suitable cable:

Tactical cable
Ø 5.5 mm

Jacketed cable
Ø 2.0 mm

Bulkhead Flange low profile:

HMA-J-BFL

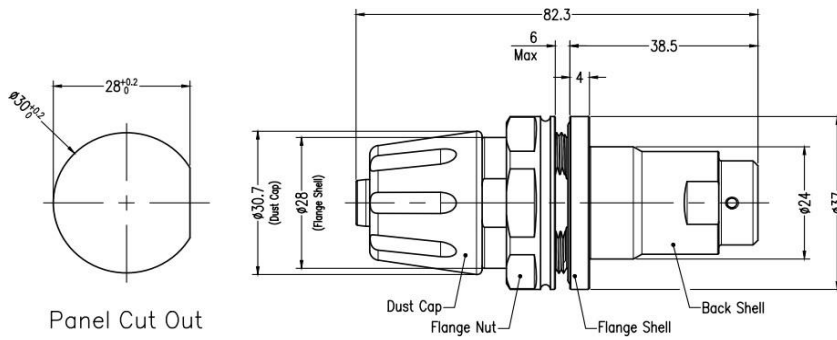


Suitable cable:

Buffered fiber
Ø 0.9 mm

Jam nut:

HMA-J-BN



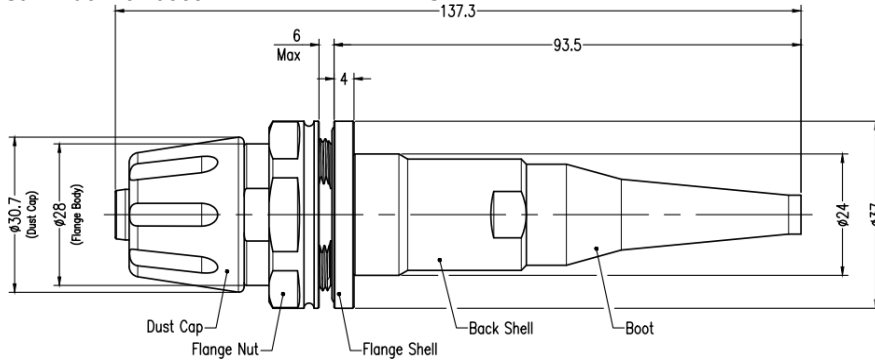
Suitable cable:

Tactical cable
Ø 5.5 mm

Jacketed cable
Ø 2.0 mm

Jam nut with boot:

HMA-J-BNB



Suitable cable:

Tactical cable
Ø 5.5 mm

Jacketed cable
Ø 2.0 mm

Variants:

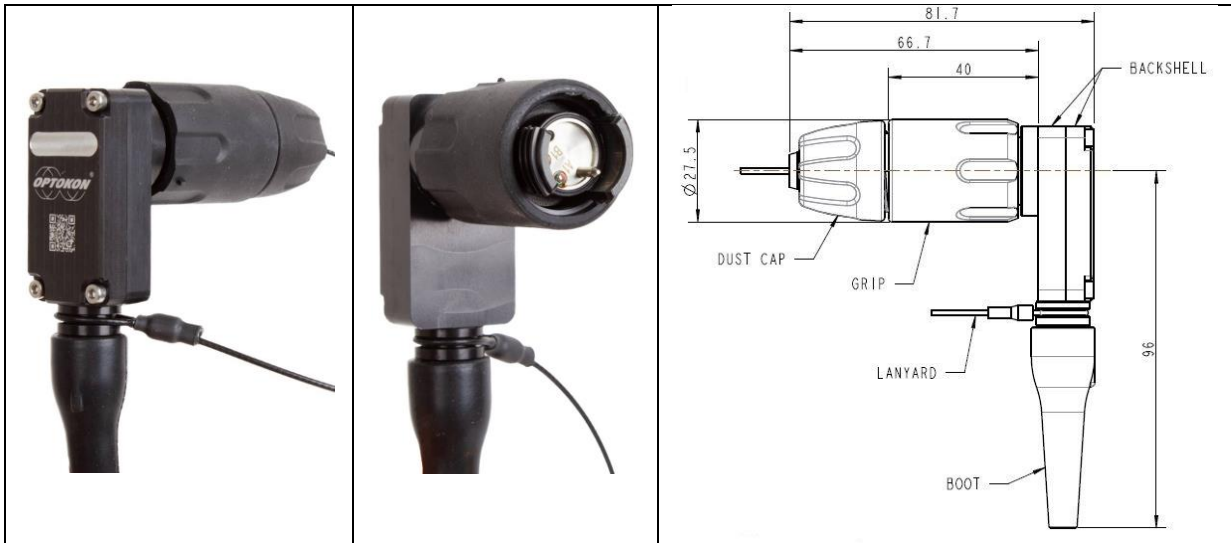
A. Blank adaptor



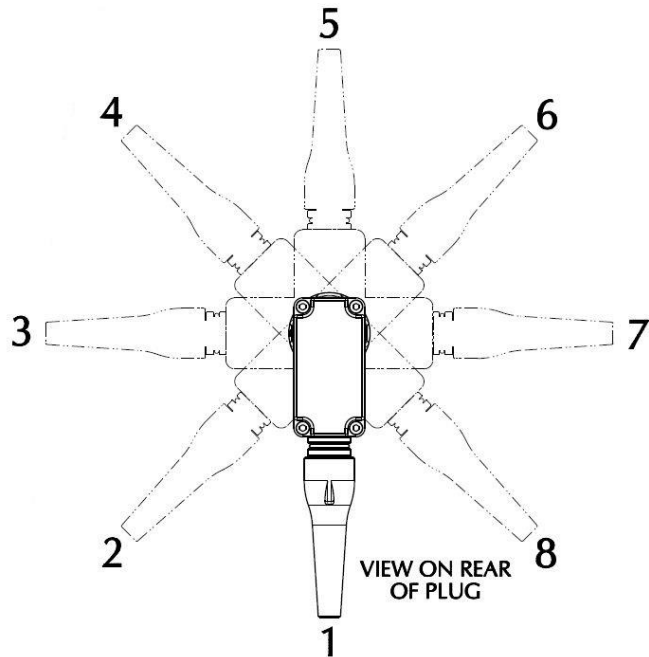
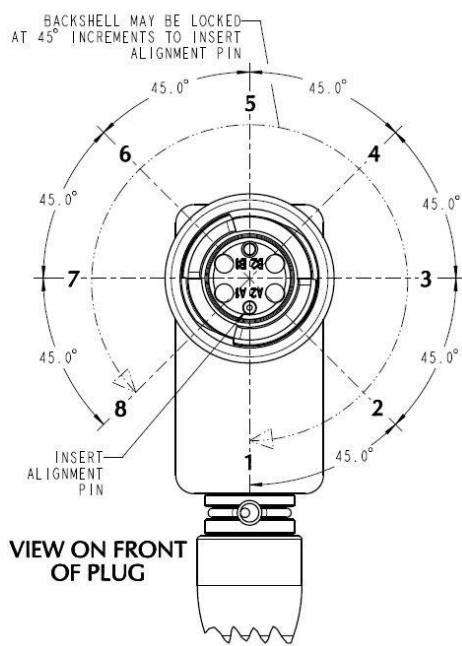
Part Number: HMA-J-BF-blank v2

Empty bulkhead flange mount adaptor, without internal insert.

B. Plug 90°



90° orientation:



Part Number: HMA-J90Px x=number of position

Example:

Cable code:

HMA-J/J90P7/LD4 OM3-JC-4,2

- HMA-J straight plug to 90° plug, position 7, tactical cable 4x OM3 fibers, length 4,2 m