

SN-MT Patchcord

Description:

The SN-MT patchcord provides quick connection specifically for multifiber cable, up to 16 fibers. The SN[®]-MT is a next generation multifiber connector available in 8 and 16 fibers in one row. It allows 2.7x increase density compared to MTP/MPO-16 fibers. The new multifiber SN[®]-MT connector is the same footprint as duplex SN connector. Available SN-MT trunk cables or fan-out from SN[®]-MT to single fibers connectors: FC, LC, SC, etc.



Features:

- Carries a maximum of 16-fiber in a row
- Same connector footprint as SN duplex
- Carries many features from the SN Duplex
- **The industry's highest density connector**
- Fiber density per 1RU is improved by
 - 2.7x over MPO-16F
 - 1.3x over MPO-32F
- Insertion loss targeted 0.35 dB max for SM

Specifications of connector ¹ :	Single mode, 8/16 fibers, low loss
Typical Insertion Loss (dB)	0.15
Max Insertion Loss (dB)	0.35
Typical Return Loss (dB)	≥60
Operating Temperature (°C)	- 40 to +75
Durability	SM <0.3 dB typical change, 50 matings

Note: 1) Parameters listed are target specifications.

Application:

- Patchcords – high density up to 16 fibers
- Fan-out cord with single fiber connectors
- Pluggable transceiver interface - 4x SN-MT fit in QSFP footprint
- Direct coupling to emerging 16 fiber parallel optic links (8 Tx / 8 Rx, e.g. 400G QSFP-DD, OSFP)
- Inside box mid-board interconnect

Types of SN-MT adapter:



SN-MT 1ch adapter



SN-MT 1ch shuttered adapter



SN-MT 4ch adapter



SN-MT 4ch shuttered adapter

Ordering code:

SNMT_{xy} - XX/(XX⁵) (XXX) - XX - (XX)¹ - (L2)²-L

Connector Type	Connector Description
SNMT	SN-MT
xx – number of fibers (8,16)	
y – Male (M), Female (F) or both (M/F)	

(XX) – Jacket color; L2, L - Length [m]

XX – Cable connection	
JC	Cable crossed
JS	Cable straight
P	Pigtail

XX - Type of fiber, cable	XXX - Type of fiber
CT Central tube cable ⁴	OM1 MM 62.5/125 μm
DOS96 96F Data center cable	OM2-OM4 MM 50/125 μm
(XX) Fan-out type	
O9 Fiber 0.9 mm	S7X ³ SM 9/125 μm (G.657X)
20 Cable 2.0 mm	

- Note: 1) Define jacket color, if requested
 2) L2 – Fan-out length if defined
 3) X – according fiber subtypes (e.g. G.657A1)
 4) Type: CT-16-S7A1-LSZH-YE for example
 5) Fan-out fiber or cable type

Cable connection:

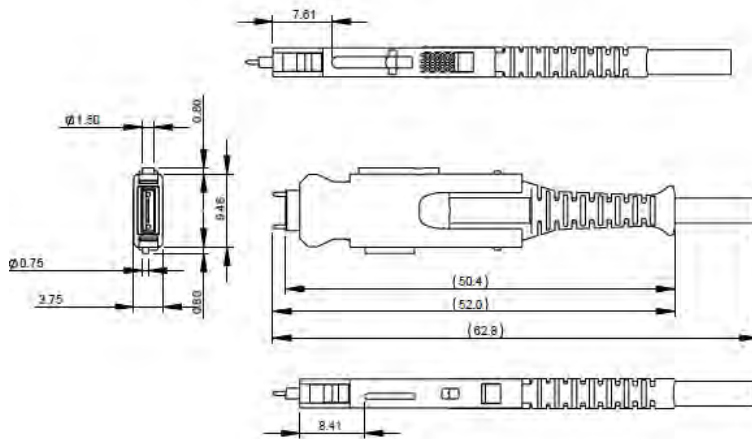
	A connector	B connector		
Cross cable Key up to key up			A	B
Straight cable Key up to key down			JC-cross	JS-straight
Fan-out cord				
			1	1
			2	2
			3	3
			4	4
			5	5
			6	6
			7	7
			8	8
			9	9
			10	10
			11	11
			12	12
			13	13
			14	14
			15	15
			16	16

Examples of code:

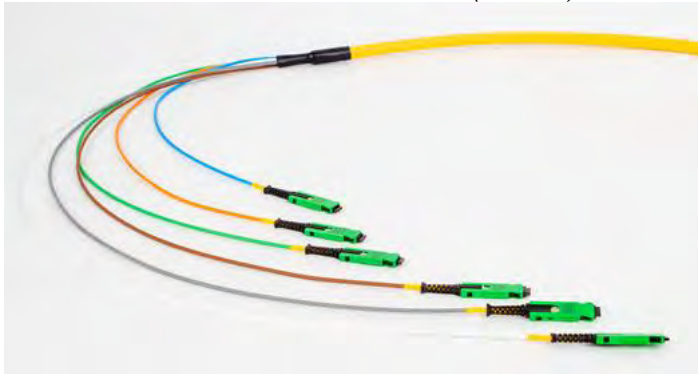
6xSNMT16M-DOS96-P-1-29
 SNMT16M/F-CT-JC-30

Fan-out (1m) with SN-MT16 Male connector, length 29 m
 SN-MT16 patchcord, Cross connection, Male and Female connector, length 30 m

Dimensions of **SN®**-MT connector:



SN-MT Fan-out cord 96 fibers (6 x 16F)



Data Center Cable 96F (6 x 16F)

